



The Boston Terrier PRO series antenna is a 2X2 MIMO cellular, up to 2X2 MIMO Wi-Fi, omni-directional antenna with optional GPS. Also, part of our Evolution series, the Boston Terrier is designed for high performance 5G, 600 MHz -6 GHz frequencies, for a fixed or transferrable solution with magnetic mounting and easy access screw mounts. Withstands harsh working conditions without compromising performance or taking up space.

This PRO series IP67-rated antenna performs at high efficiency with easy install on kiosks, POTS replacement boxes, and other equipment using a magnetic or adhesive base with screw on option for reinforced mounting. Cables stationed on the side for flat mounting surface.

Patent Pending



1st  
to **5G**

Configuration 2:1 | 3:1 | 4:1 | 5:1

POTS Replacement | Primary IoT Network Solutions | Kiosks



## ***Enhance Performance***

Ideal Mobile Hot Spot Accessory

## ***Primary IoT***

High Speed Warehouse Network Solution

## ***Easy Install***

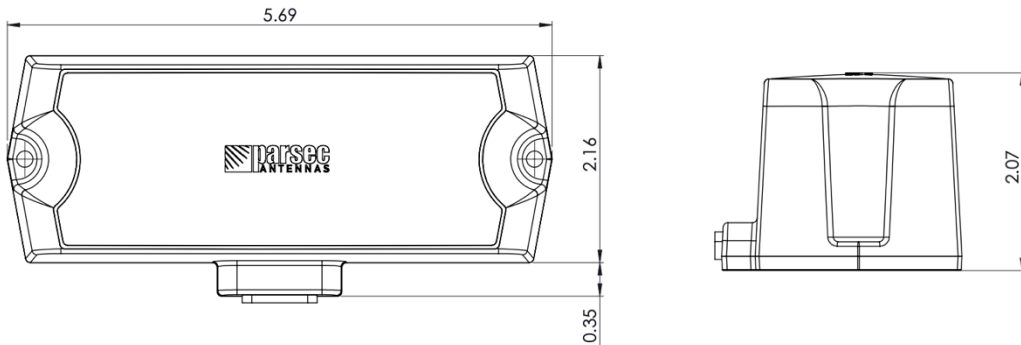
Screw Mount or Magnetic & Adhesive Base

- 2X2 MIMO CELLULAR
- UP TO 2X2 MIMO WI-FI
- OMNI – DIRECTIONAL
- OPTIONAL GPS
- 600 MHz – 6 GHz
- 5.69in X 2.16 in X 2.07 in
- WI-FI 6 COMPATIBLE

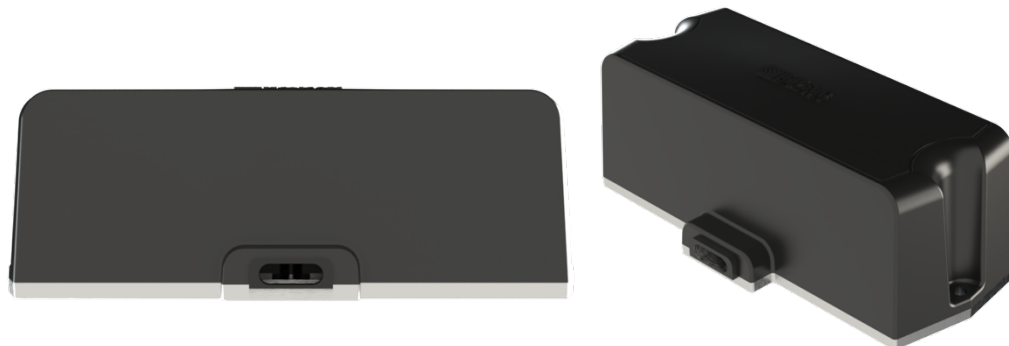
# Specifications

Frequencies			
4G/5G Cellular	617 - 6000 MHz	Wi-Fi	2400 - 2483.5 MHz 4900 - 5900 MHz
4G/5G Bands			
North America	B2, B4, B5, B7, B12, B14, B17, B25, B26, B29, B30, B41 B46, B48, B66, B71 n2, n5, n12, n25, n26, n41, n48, n66, n71, n77		
EMEA	B1, B3, B7, B8, B20, B28, B42, B43, B46 n1, n3, n8, n28, n77, n78		
Mechanical		Environmental	
Dimensions	5.69 inch X 2.16 inch X 2.07 inch	Operating Temperature	-30 °C to 85°C OR -22 °F to 180°F
Mounting	Magnetic, Adhesive, and Screw Base	Ingress Protection	IP67
RF Cable Length	6 ft Cable (Other Lengths Available up to 15 ft)		

## Dimensions



## Product Images



## Electrical Specifications

<b>ID &amp; Unit</b>	<b>Port</b>	<b>Parameters</b>	<b>Typ.</b>
<b>Radiated Efficiency (%)</b>	CELL 1, 2	617-698 MHz	50
	CELL 1, 2	698-960 MHz	60
	CELL 1, 2	1710-2700 MHz	80
	CELL 1, 2	3300-4000 MHz	75
	CELL 1, 2	5150-5925 MHz	60
	Wi-Fi 1, 2	2400-2483.5 MHz	70
	Wi-Fi 1, 2	4900-5900 MHz	80
<b>Peak Gain (dBi)</b>	CELL 1, 2	617-698 MHz	3.5
	CELL 1, 2	698-960MHz	4
	CELL 1, 2	1710-2700 MHz	6.5
	CELL 1, 2	3300-4000 MHz	7
	CELL 1, 2	5150-5925 MHz	8
	Wi-Fi 1, 2	2400-2483.5 MHz	6
	Wi-Fi 1, 2	4900-5900 MHz	7.5
<b>Return Loss 50Ω (dB)</b>	CELL 1, 2	617-698 MHz	8
	CELL 1, 2	698-960 MHz	9
	CELL 1, 2	1710-2700 MHz	8
	CELL 1, 2	3300-4000 MHz	5
	CELL 1, 2	5150-5925 MHz	5
	Wi-Fi 1, 2	2400-2483.5 MHz	11
	Wi-Fi 1, 2	4900-5900 MHz	9
<b>Isolation (dB)</b>	CELL	698-849 MHz	5
	CELL	849-960 MHz	7
	CELL	1710-1930 MHz	15
	CELL	1930-2700 MHz	22
	CELL	3300-4000 MHz	30
	CELL	5150-5925 MHz	30
	Wi-Fi	2400-2483.5 MHz	9
	Wi-Fi	4900-5900 MHz	20
<b>Polarization</b>	CELL, Wi-Fi		Linear
<b>Max Input Power (Watts)</b>	CELL, Wi-Fi		5
<b>RF Connectors</b>	CELL		SMA(M)
	Wi-Fi		RPSMA(M)
<b>RF Cable Type</b>	CELL, Wi-Fi		LSR200
<ul style="list-style-type: none"> <li>• Electrical Specifications based on antenna with a 2 ft X 2 ft external ground plane.</li> <li>• Isolation, return loss, and peak gain does not include cable loss.</li> </ul>			

## GNSS Electrical Specifications

<b>ID &amp; Unit</b>	<b>Port</b>	<b>Parameters</b>	<b>Typ.</b>
Antenna + Preamp Gain (dBic)	GPS	1570-1581 MHz	33
Polarization	GPS		RHCP
Filter Rejection (dB)	GPS	1625 MHz	12
GNSS Preamp Voltage (mA)	GPS		2.2 to 5
GNSS Preamp Current (mA)	GPS		5 to 15
RF Connector	GPS		SMA(M)
RF Cable Type	GPS		LSR100

## Part Number Key

*Part number example of a 5:1 Boston Terrier antenna, black: PRO5BT2L2WG15B*

<b>Description</b>	<b>Abbreviation</b>	<b>Part Number</b>
All PRO Series	PRO	PRO
Number of Antennas in Housing/Configuration	5:1	PRO5
Antenna Abbreviation for Boston Terrier	BT	PRO5BT
Number of CELL Elements	#L	PRO5BT2L
Number of Wi-Fi Elements	#W	PRO5BT2L2W
Number of GPS Elements (usually only 1 GPS per antenna, therefore we simply list G and no number)	G	PRO5BT2L2WG
Cable Length Measured in Feet: 01=1', 15=15'	01, 02, 15, etc.,	PRO5BT2L2WG15
Radome Color - B for Black	B	PRO5BT2L2WG15B
If SMA Connector, simply leave blank		PRO5BT2L2WG15B
<b>Custom connectors and cable kits are available. Please contact us for more information at <a href="mailto:sales@parsec-t.com">sales@parsec-t.com</a>.</b>		

## Ordering

### Standard Antennas

<b>Config.</b>	<b>Part Number</b>	<b>Description</b>
<b>2:1</b>	PRO2BT2L06B	2 Cellular, 6 ft Cable, Black
<b>3:1</b>	PRO3BT2LG06B	2 Cellular, GPS, 6 ft Cable, Black
<b>5:1</b>	PRO5BT2L2WG15B	2 Cellular, 2 Wi-Fi, GPS, 15 ft Cable, Black

## Non-Standard Antennas

<b>Config.</b>	<b>Part Number</b>	<b>Description</b>
2:1	PRO2BT2L03B	2 Cellular, 3 ft Cable, Black
	PRO2BT2L15B	2 Cellular, 15 ft Cable, Black
3:1	PRO3BT2LG03B	2 Cellular, GPS, 3 ft Cable, Black
	PRO3BT2LG15B	2 Cellular, GPS, 15 ft Cable, Black
4:1	PRO4BT2L2W03B	2 Cellular, 2 Wi-Fi, 3 ft Cable, Black
	PRO4BT2L2W06B	2 Cellular, 2 Wi-Fi, 6 ft Cable, Black
	PRO4BT2L2W15B	2 Cellular, 2 Wi-Fi, 15 ft Cable, Black
	PRO4BT2LWG03B	2 Cellular, 1 Wi-Fi, GPS, 3 ft Cable, Black
	PRO4BT2LWG06B	2 Cellular, 1 Wi-Fi, GPS, 6 ft Cable, Black
	PRO4BT2LWG15B	2 Cellular, 1 Wi-Fi, GPS, 15 ft Cable, Black
5:1	PRO5BT2L2WG03B	2 Cellular, 2 Wi-Fi, GPS, 3 ft Cable, Black
	PRO5BT2L2WG06B	2 Cellular, 2 Wi-Fi, GPS, 6 ft Cable, Black

## Additional Hardware Accessories

<b>Accessory</b>	<b>Part Number</b>
Lightning Arrestor – SMA(F) to SMA(F)	PTA0476
Lightning Arrestor – N(F) to N(M)	PTA0736
SMA Wrench, Key Chain	PTA0194
Service: Cable Sleeving (Priced Per Ft)	Cable Sleeving



**Parsec Antennas**

**972-804-4600**

**support@parsec-t.com**