



The Labrador PTA series antenna is a 5G, 2X2 MIMO cellular, omni-directional antenna perfect for 2X data speed of cellular coverage inside buildings or outdoors. A minimalist aesthetic appearance and small footprint makes the Labrador a perfect addition to any retail or office space. With access to the full 600 MHz to 6 GHz 5G spectrum, bring high-capacity throughput to your enterprise.

This PTA series IP54 rated antenna can be wall or pole mounted indoors and outdoors. Accompanied with low loss cables for high performance and router optimization.

Patent Pending



1st
to 5G



Configurations 2:1

Primary Network | Retail Enterprise | IoT Applications

Compact Aesthetic Design

Subtle for Office & Retail

High Data Speeds

High-Capacity Throughput 5G

Durable

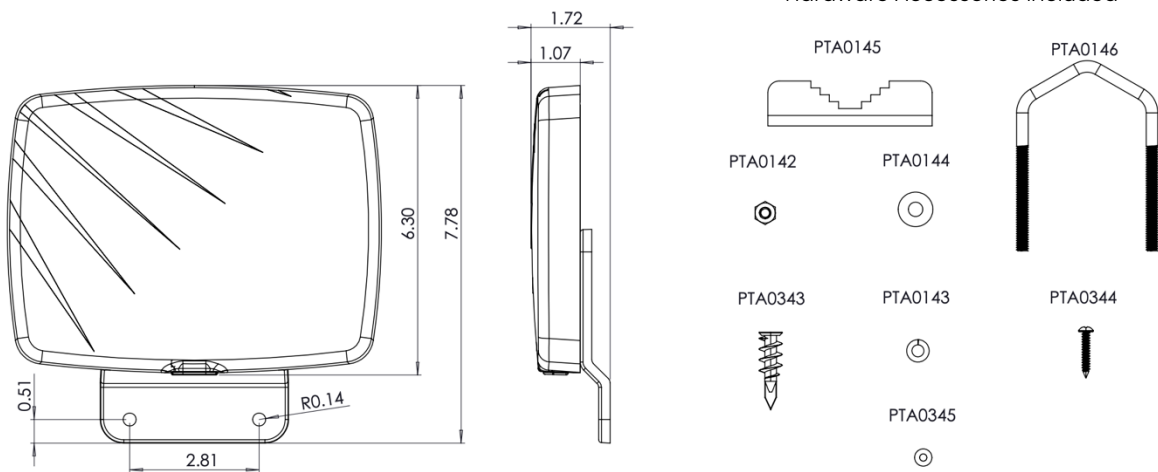
IP54 Rated for Indoor/ Outdoor Use

- 2X2 MIMO CELLULAR
- OMNI-DIRECTIONAL
- 600 MHz - 6 GHz
- INDOOR/ OUTDOOR
- WALL OR POLE MOUNT
- 8.13 in X 7.78 in X 1.72 in

Specifications

Frequencies	
4G/5G Cellular	617-698 MHz 698-894 MHz 1710-2700 MHz 3400-4000 MHz 5150-5925 MHz
4G/5G Bands	
North America	B2, B4, B5, B7, B12, B13, B14, B17, B25, B26, B29, B30, B41, B46, B48, B66, B71 n2, n5, n12, n25, n26, n41, n48, n66, n71, n77
EMEA	B1, B3, B7, B20, B28, B42, B43, B46 n1, n3, n8, n77, n78
Mechanical	
Dimensions	8.13 inch X 7.78 inch X 1.72 inch thickness excluding mounting bracket
Mounting	Bracket with screws to a non-metallic surface. Pole mount for 1.5-2.5 inch mast diameter
RF Cable Length	Choice of 1 or 15 ft cables
<ul style="list-style-type: none"> Pole mount consists of V-bolt, saddle clamp, and related hardware. Optional 25 ft LSR240 and 50 ft LSR400 cable kits are available. 	

Dimensions



Product Images



Electrical Specifications

ID & Unit	Port	Parameters	Typ.
Radiated Efficiency (%)	CELL 1, 2	617-698 MHz	50
	CELL 1, 2	698-894MHz	80
	CELL 1, 2	1710-2700 MHz	75
	CELL 1, 2	3400-4000 MHz	55
	CELL 1, 2	5150-5925 MHz	80
Peak Gain (dBi)	CELL 1, 2	617-698 MHz	2.5
	CELL 1, 2	698-894MHz	3
	CELL 1, 2	1710-2700 MHz	4
	CELL 1, 2	3400-4000 MHz	6
	CELL 1, 2	5150-5925 MHz	10
Return Loss 50Ω (dB)	CELL 1, 2	617-698 MHz	2
	CELL 1, 2	698-894MHz	7
	CELL 1, 2	1710-2700 MHz	7
	CELL 1, 2	3400-4000 MHz	6
	CELL 1, 2	5150-5925 MHz	5
Isolation (dB)	CELL 1, 2	617-698 MHz	12
	CELL 1, 2	698-894MHz	10

	CELL 1, 2	1710-2700 MHz	16
	CELL 1, 2	3400-4000 MHz	20
	CELL 1, 2	5150-5925 MHz	27
Polarization (dBi)	CELL		Linear
Max Input Power (Watts)	CELL		5
RF Connectors	CELL		SMA(M)
RF Cable Type	CELL		LSR200
<ul style="list-style-type: none"> Isolation, return loss, and peak gain does not include cable loss. Performance will be degraded if the antenna is mounted close to wiring or metal wall studs. SMA connectors have a max torque of 3-5 inch lbs. NF connectors have a max torque of 6.2-9.7 inch lbs. Parsec is currently phasing out inventory with LTE on our Cellular cables (now labeled CELL). For cables labeled LTE, please refer port "CELL" in the data sheets and installation instructions. 			

Part Number Key

Part number example of a 2:1 Labrador antenna, white: PTAWM2L15W

Description	Abbreviation	Part Number
All PTA Series	PTA	PTA
Antenna Abbreviation for Labrador	WM	PTAWM
Number of CELL Elements	#L	PTAWM2L
Cable Length Measured in Feet: 01=1', 15=15'	01, 15, etc.,	PTAWM2L15
Radome Color - W for White	W	PTAWM2L15W
If SMA Connector, Simply Leave Blank		PTAWM2L15W
Additional Options		
N Type Female Connector	-NF	PTAWM2L01W-NF
Custom connectors and cable kits are available. Please contact us for more information at sales@parsec-t.com .		

Ordering

Standard Antennas

Configurations	Part Number	Description
2:1	PTAWM2L01W	2 Cellular, 1 ft Cable, White,
	PTAWM2L01W-NF	2 Cellular, 1 ft Cable, White, N Type Female
	PTAWM2L15W	2 Cellular, 15 ft Cable, White,
N Type connector is recommended for outdoor usage due to it being waterproof. N Type is also best used for cable runs longer than 25 ft due to it being a stronger connection.		

Additional Hardware Accessories

Accessory	Part Number
Replacement Pole Mount Assembly	PTA0147
Lightning Arrestor – SMA(F) to SMA(F)	PTA0476
Lightning Arrestor – N(F) to N(M)	PTA0736
SMA Wrench, Key Chain	PTA0194
Service: Cable Sleeving (Priced Per Ft)	Cable Sleeving



Parsec Antennas

972-804-4600

support@parsec-t.com